



Sovitron Interior Pvt.Ltd.



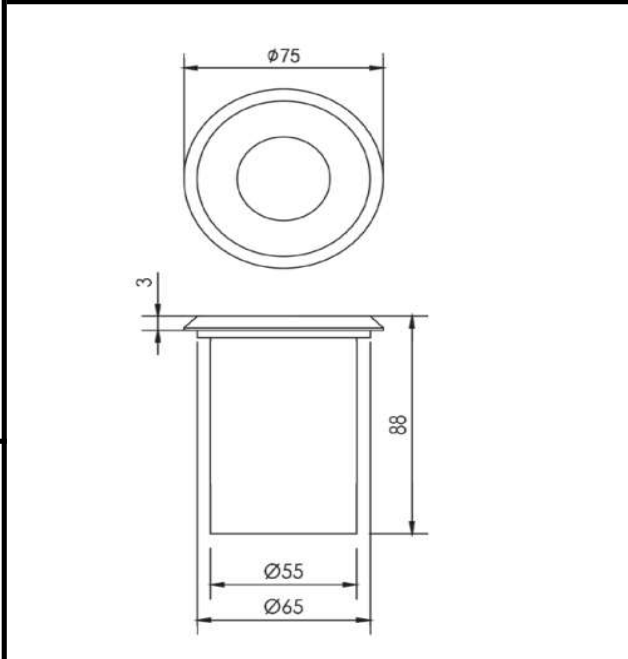
Model Name	URBANA-2101 / DL-OSL-2101A-1
Description	Inground Light

Technical description	Image
-----------------------	-------

Dimension	Outer Dia=75mm Cutout=65mm H=88mm
Frame	Aluminum die cast
Color Tempertaure	5700K
Power	1.5W
Total Luminous Flux	98 lm
Efficacy	65.3 lm/W
IP rating	67
Color Rendering	≥80
Mounting	Buried
Beam angle	25°,120°
Optics	Tempered glass
Dimming	NON-Dimmable
Operating Voltage	220-240 VAC
Standard Lifetime	L70 minimum at 50,000 burning hours



Dimension diagram



Remarks:-

Address: Plot #7 Saroorpur-Nangla Industrial Area,Ballabgarh-Sohna Road,Faridabad-121005
Email: info@sovitron.com